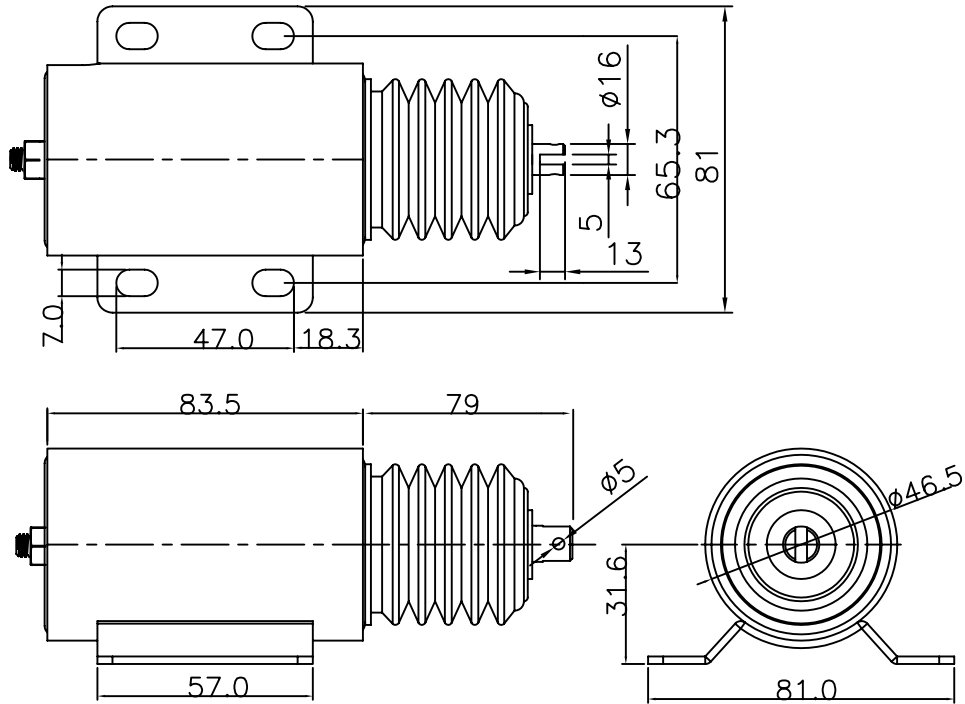




CS 4093

直流電磁吸鐵



TYPE	RESISTANCE (Ω)	AMPERE(A)	DUTY(%)
CS 4093 -DC12	0.33 +/- 10%	36	5%
CS 4093 -DC24	0.82 +/- 10%	29	5%

PS: The product is for short time